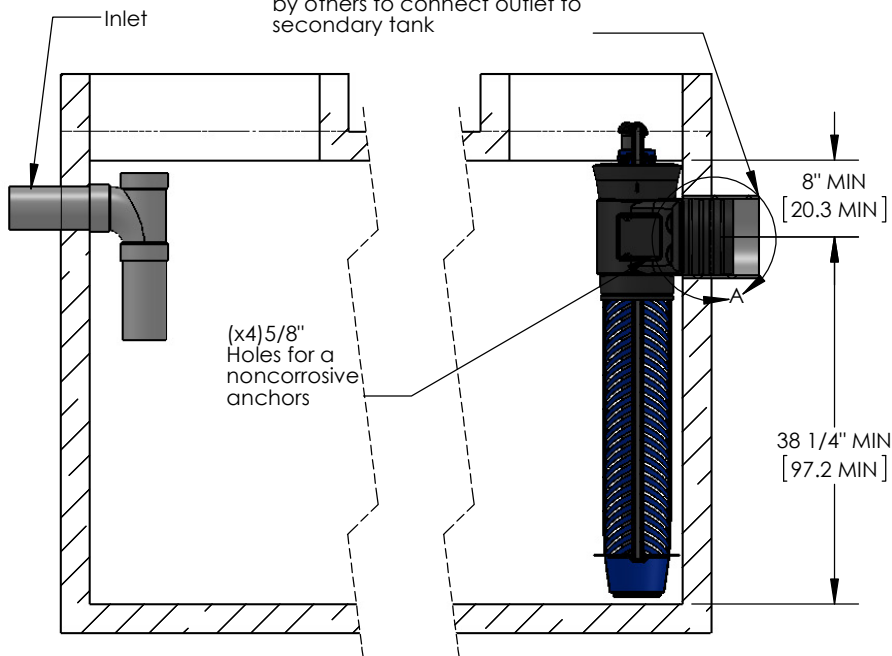
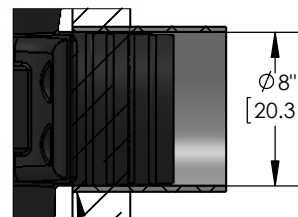
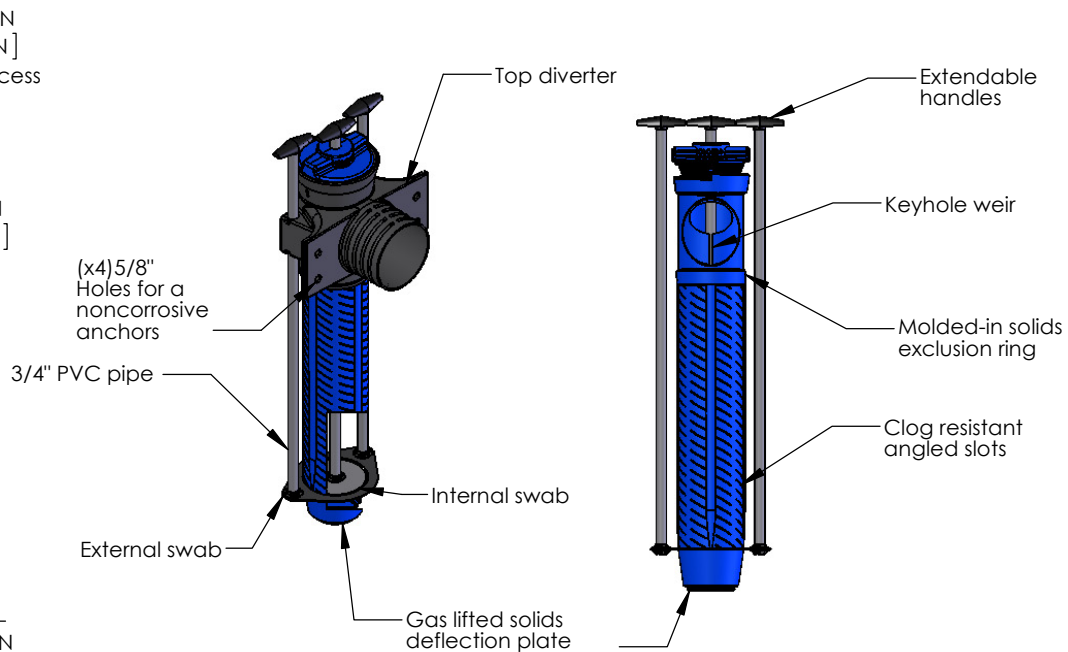


Outlet optional 8" PVC pipe provided by others to connect outlet to secondary tank



If installed as shown in a single compartment tank the 8" PVC pipe must be water tight within the tank and flush against the inside to mount 8" SaniTEE top diverter



DETAIL A  
SCALE 1 : 10

Notes:

- SNT 818-B is a 1/8" [3.2 mm] effluent screen capable of screening up to 3,000 GPD [11 cubic meters per day].
- SNT 818 is a 1/8" [3.2 mm] effluent screen capable of screening up to 6,000 GPD [23 cubic meters per day].
- SNT 838 is a 3/8" [9.5 mm] effluent screen capable of screening up to 10,000 GPD [38 cubic meters per day].
- Outlet pipe not included.
- All appurtenances to SaniTEE® (e.g. septic tank, access risers, etc) must conform to all applicable codes.

DO NOT SCALE  
UNLESS NOTED DIMENSIONS ARE IN INCHES [CENTIMETERS]  
TOLERANCES ± 0.02 IN/IN [± 0.05 CM/CM]



8 Inch SANITEE

THE INFORMATION CONTAINED IN THIS DRAWING IS THE SOLE PROPERTY OF BIO-MICROBICS INC. ANY REPRODUCTION IN PART OR AS A WHOLE WITHOUT THE WRITTEN PERMISSION OF BIO-MICROBICS INC. IS PROHIBITED. DESIGN AND INVENTION RIGHTS ARE RESERVED. IN THE INTEREST OF TECHNOLOGICAL ADVANCEMENT, ALL PRODUCTS ARE SUBJECT TO DESIGN AND OR MATERIAL CHANGE WITHOUT NOTICE.

BIO-MICROBICS © 2014

|         |      |           |                                 |                 |
|---------|------|-----------|---------------------------------|-----------------|
| WEIGHT  | lb   | SIZE      | DRAWING NUMBER                  | SHEET<br>1 OF 1 |
| NAME    | DATE | A         | SaniTEE® 818, 818-B, & 838      |                 |
| DRAWN   | CTC  | 3/31/2005 |                                 |                 |
| CHECKED | PF   | 4/9/2014  | REVISED 4/9/2014<br>REV. CAT-01 |                 |