
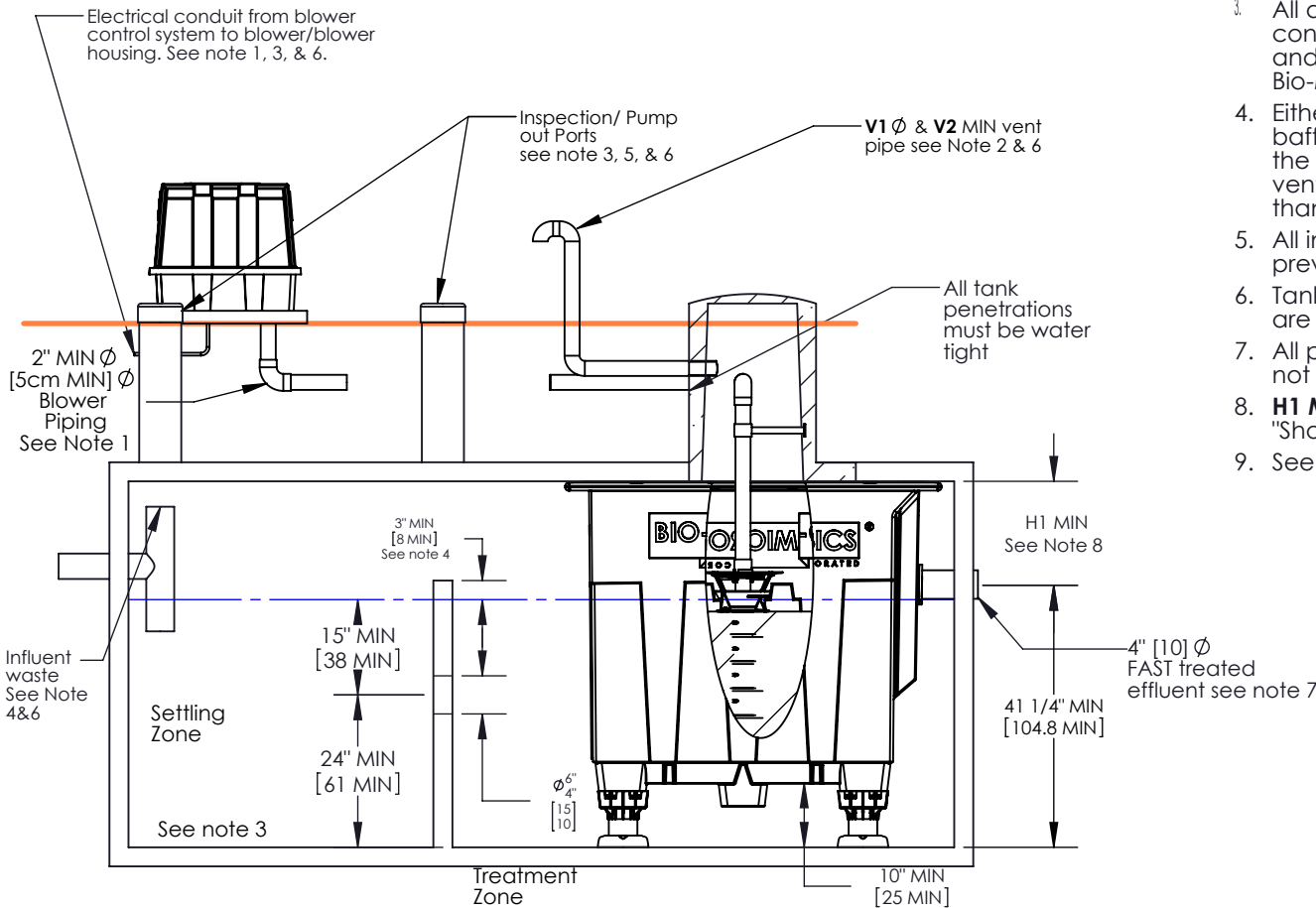
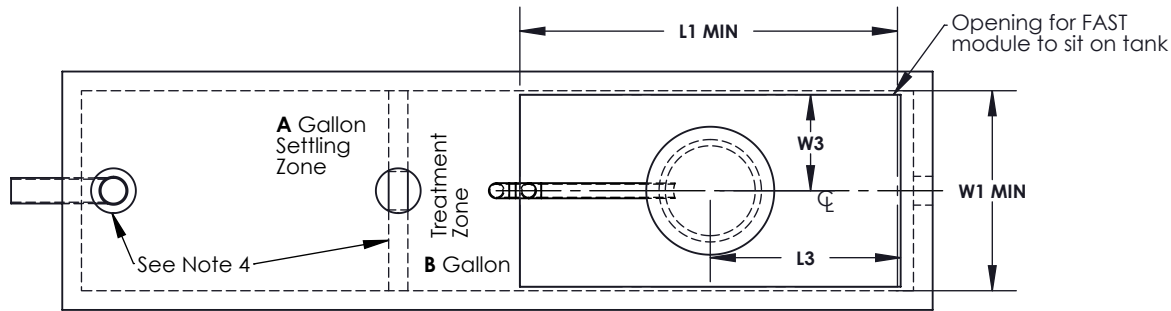


NOTES

1. Blower piping to FAST® may not exceed 100 FT [30.5m] total length and use 4 elbows maximum. For distances greater than 100 FT [30.5m] - consult factory. Blower must be located above flood/standing water levels on a concrete base.
2. Vent to be located above finish grade or higher to avoid infiltration. Cap with vent grate with at least **V2** sq in. of open surface area. Secure with stainless steel screws (see sheet 3 of 3 FAST Details.)
or
Run vent to desired location and cover opening with vent grate with at least **V2** sq in. of open surface area. Secure with stainless steel screws. Vent piping must not allow excess moisture build up or back pressure.
3. All appurtenances to FAST® (e.g. tank pump outs, etc.) must conform to all country, state, province, and local plumbing and electrical codes. The blower control system is provided by Bio-Microbics, Inc.
4. Either the influent pipe tee shall be fitted with a pipe cap or the baffle separating the two zones shall be extended to the top of the tank. If choosing to use the pipe cap; drill a 1/4" [0.6cm] vent hole in the cap and the baffle shall be at least 3" [8] higher than the water level as shown on the drawing.
5. All inspection, viewing and pump out ports must be secured to prevent accidental or unauthorized access
6. Tank, anchors, piping, conduit, blower housing pad and vents are provided by others.
7. All piping and ancillary equipment installed after FAST® must not impede or restrict free flow of effluent.
8. No more than 4 FT [1.2 m] of fill may be placed over unit lid. Refer to installation manual for more details.
9. See sheet 3 of 4 for required dimensions.

DO NOT SCALE				MA 0.5-1.5 FAST Units	
UNLESS NOTED DIMENSIONS ARE IN INCHES [CENTIMETERS] TOLERANCES ± 0.02 IN/IN [± 0.05 CM/CM]					
WEIGHT	lb	SIZE	DRAWING NUMBER		
		A	FAST® with lid		
DRAWN	CTC	12/18/2006	REVIS		
CHECKED	PF	4/19/2011	REVISED	4/19/2011	REV. INI-04-D

THE INFORMATION CONTAINED IN THIS DRAWING IS THE SOLE PROPERTY OF BIO-MICROBICS INC. ANY REPRODUCTION IN PART OR AS A WHOLE WITHOUT THE WRITTEN PERMISSION OF BIO-MICROBICS INC. IS PROHIBITED. DESIGN AND INVENTION RIGHTS ARE RESERVED. IN THE INTEREST OF TECHNOLOGICAL ADVANCEMENT, ALL PRODUCTS ARE SUBJECT TO DESIGN AND OR MATERIAL CHANGE WITHOUT NOTICE.



NOTES

1. Blower piping to FAST® may not exceed 100 FT [30.5m] total length and use 4 elbows maximum. For distances greater than 100 FT [30.5m] - consult factory. Blower must be located above flood/standing water levels on a concrete base.
2. Vent to be located above finish grade or higher to avoid infiltration. Cap with vent grate with at least **V2** sq in. of open surface area. Secure with stainless steel screws (see sheet 3 of 3 FAST Details.)
or
Run vent to desired location and cover opening with vent grate with at least **V2** sq in. of open surface area. Secure with stainless steel screws. Vent piping must not allow excess moisture build up or back pressure.
3. All appurtenances to FAST® (e.g. tank pump outs, etc.) must conform to all country, state, province, and local plumbing and electrical codes. The blower control system is provided by Bio-Microbics, Inc.
4. Either the influent pipe tee shall be fitted with a pipe cap or the baffle separating the two zones shall be extended to the top of the tank. If choosing to use the pipe cap; drill a 1/4" [0.6cm] vent hole in the cap and the baffle shall be at least 3"[8] higher than the water level as shown on the drawing.
5. All inspection, viewing and pump out ports must be secured to prevent accidental or unauthorized access
6. Tank, anchors, piping, conduit, blower housing pad and vents are provided by others.
7. All piping and ancillary equipment installed after FAST® must not impede or restrict free flow of effluent.
8. **H1 Min** Height may be reduced, consult factory and reference "Short-FASTModule-Procedure.pdf."
9. See sheet 3 of 4 for required dimensions.

DO NOT SCALE
UNLESS NOTED
DIMENSIONS
ARE IN INCHES
[CENTIMETERS]
TOLERANCES
± 0.02 IN/IN
[± 0.05 CM/CM]



MA 0.5-1.5 FAST Units

WEIGHT		lb	SIZE	DRAWING NUMBER		SHEET 2 OF 4
NAME	DATE		A	FAST® with feet		
DRAWN	CTC	12/18/2006		REVISED	4/19/2011	
CHECKED	PF	4/19/2011				

THE INFORMATION CONTAINED IN THIS DRAWING IS THE SOLE PROPERTY OF BIO-MICROBICS INC. ANY REPRODUCTION IN PART OR AS A WHOLE WITHOUT THE WRITTEN PERMISSION OF BIO-MICROBICS INC. IS PROHIBITED. DESIGN AND INVENTION RIGHTS ARE RESERVED. IN THE INTEREST OF TECHNOLOGICAL ADVANCEMENT, ALL PRODUCTS ARE SUBJECT TO DESIGN AND OR MATERIAL CHANGE WITHOUT NOTICE.

© 2011

Unit Size	A MIN	B MIN	V1 MIN	V2 MIN	L1	L2	L3	W1 MIN	W2	W3	H1 MIN
0.5	500	1000	3"	7.1 in sq	59.5"	54"	29.75"	31.25"	25"	15.125"	16.375"
0.75	500	1000	3"	7.1 in sq	60"	54"	31.5"	44.25"	37"	21.5	16.375"
0.9	500	1000	3"	7.1 in sq	59"	54"	31.25"	54.5"	49"	26.625	16.375"
1.0	500	1000	4"	9 in sq	59"	54"	31.25"	54.5"	49"	26.625	16.375"
1.5	750	2000	4"	9 in sq	83.5"	75.75"	42.875"	55.75"	49"	27.625	16.25"

A MIN	Settling Zone (MIN Liquid Capacity)
B MIN	FAST® Chamber (MIN Liquid Capacity)
V1 MIN	Vent Diameter (MIN)
V2 MIN	Vent grate open area (MIN).
L1	FAST® Length and MIN Tank Length
L2	Length of tank opening for hanging FAST®
L3	FAST® Length from edge of liner to center of airline.
W1 MIN	FAST® MIN Tank Width.
W2	Width of tank opening for hanging FAST®.
W3	FAST® Width from edge of liner to center of airline.
H1 MIN	Clearance from center of outlet to inside top of tank (for feet install only)

DO NOT SCALE
UNLESS NOTED
DIMENSIONS
ARE IN INCHES
[CENTIMETERS]
TOLERANCES
± 0.02 IN/IN
[± 0.05 CM/CM]



MA 0.5-1.5 FAST Units

THE INFORMATION CONTAINED IN THIS DRAWING IS THE SOLE PROPERTY OF BIO-MICROBICS INC. ANY REPRODUCTION IN PART OR AS A WHOLE WITHOUT THE WRITTEN PERMISSION OF BIO-MICROBICS INC. IS PROHIBITED. DESIGN AND INVENTION RIGHTS ARE RESERVED. IN THE INTEREST OF TECHNOLOGICAL ADVANCEMENT, ALL PRODUCTS ARE SUBJECT TO DESIGN AND OR MATERIAL CHANGE WITHOUT NOTICE.

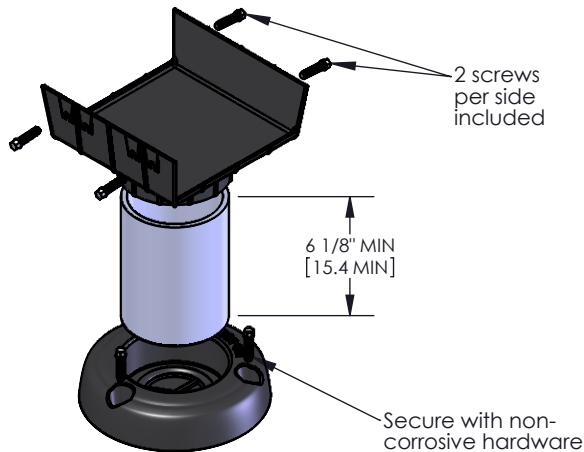
WEIGHT	lb	SIZE	DRAWING NUMBER	SHEET 3 OF 4
NAME	DATE	A	Chart	
DRAWN	CTC	12/18/2006	REVISED 4/19/2011	REV. INI-04-D
CHECKED	PF	4/19/2011		

BIO-MICROBICS © 2011

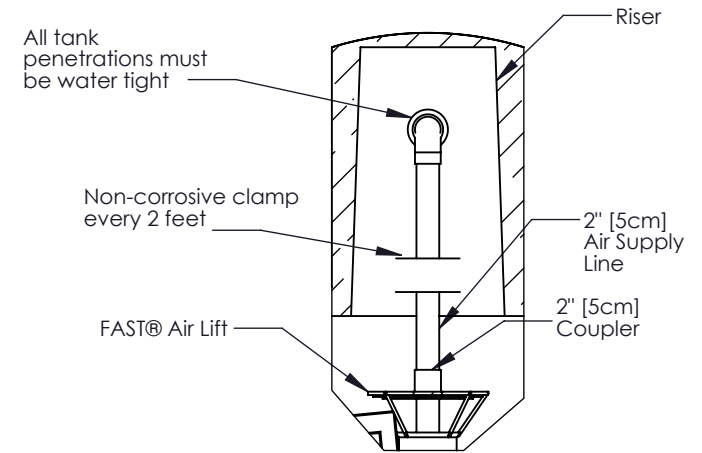
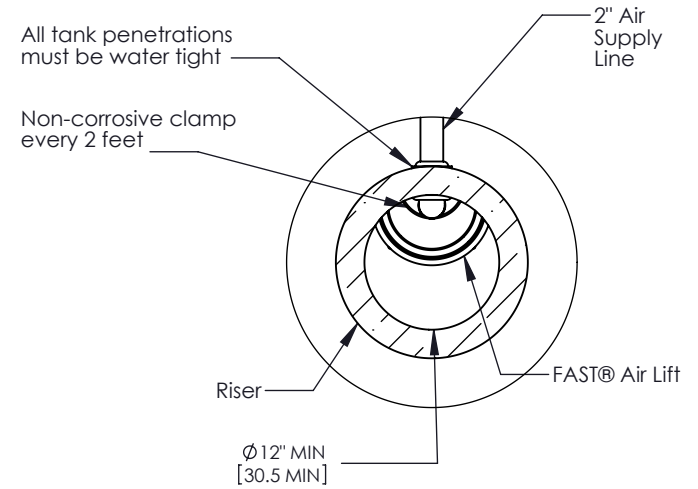
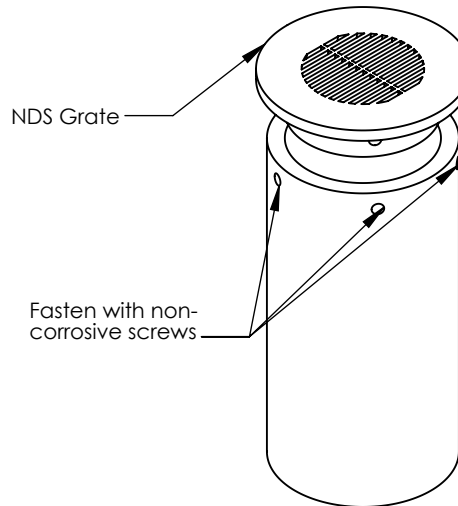
Notes

1. Secure leg extension to the FAST® unit by placing two screws on each side of the leg extension (4 screws per foot are included).
2. Cut 4" schd. 40 PVC pipe (not included) to obtain the desired height. Minimum pipe length of 6 1/8" [15.56cm]. For heights greater than 18" [45.7cm] use schd. 80 PVC pipe (not included). Consult factory for extending leg beyond 36"[9cm].
3. Anchor the leg extensions to the tank with non-corrosive hardware (not included) at the provided mounting points .
4. The air supply line into the FAST® unit must be secured to prevent vibration induced damage. The air supply line should be secured with a non-corrosive clamp every 2' MIN.
5. Tank, anchors, piping conduit, blower housing pad, and tank vents are provided by others.

Minimum leg extension assembly see note 2, 3, & 4



FAST® Vent Option



Alternate Air Supply Option

DO NOT SCALE
UNLESS NOTED
DIMENSIONS
ARE IN INCHES
[CENTIMETERS]
TOLERANCES
± 0.02 IN/IN
[± 0.05 CM/CM]



MA 0.5-1.5 FAST Units

WEIGHT	lb	SIZE	DRAWING NUMBER	SHEET 4 OF 4
NAME	DATE	A	FAST® Details	
DRAWN	CTC	12/18/2006		
CHECKED	PF	4/19/2011	REVISED 4/19/2011	
			REV. INI-04-D	