

1. 6" MIN Ø inspection/pump out port Req.
2. Carbon feed equipment supplied by others
3. 24" Ø MIN observation port
4. Supplied pump power cord 20 feet [6m]
5. Flow distribution head
6. 4" Ø PVC Outlet pipe supplied by others
7. Bio-Microbics® ABC-N® treatment module
8. Anchored leg extensions
9. Supplied recirculation pump
10. Supplied plumbing
11. Lifting point (x4) Lift unit using spreader bars supplied by others.
12. Water level
13. Influent waste from nitrification system per application requirements.

- Notes:
- Carbon Source hardware should be installed per equipment instructions.
 - All appurtenances to FAST® (e.g. Septic Tank, Pump outs, ETC.) must conform to all county, state, province and local codes.
 - See all detailed notes on sheet 2,3 of 3

PROPRIETARY AND CONFIDENTIAL

DO NOT SCALE
UNLESS NOTED
DIMENSIONS
ARE IN INCHES
[CENTIMETERS]
TOLERANCES
± 0.02 IN/IN
[± 0.05 CM/CM]



ABC-N® 9.0

WEIGHT	2300 LB	SIZE	A	DRAWING NUMBER	600-FINABCN9.0	REV.	INI-01-D
NAME	DATE						
DRAWN	5/12/2006						
CHECKED	PF	7/23/2007			REVISED Monday, July 23, 2007		SHEET 1 OF 2

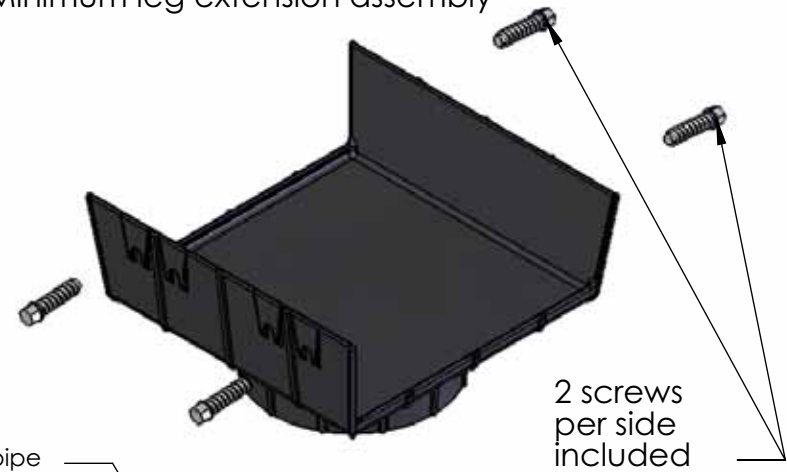
THE INFORMATION CONTAINED IN THIS DRAWING IS THE SOLE PROPERTY OF BIO-MICROBICS INC. ANY REPRODUCTION IN PART OR AS A WHOLE WITHOUT THE WRITTEN PERMISSION OF BIO-MICROBICS INC. IS PROHIBITED. DESIGN AND INVENTION RIGHTS ARE RESERVED. IN THE INTEREST OF TECHNOLOGICAL ADVANCEMENT, ALL PRODUCTS ARE SUBJECT TO DESIGN AND OR MATERIAL CHANGE WITHOUT NOTICE.

BIO-MICROBICS © 2007

Notes:

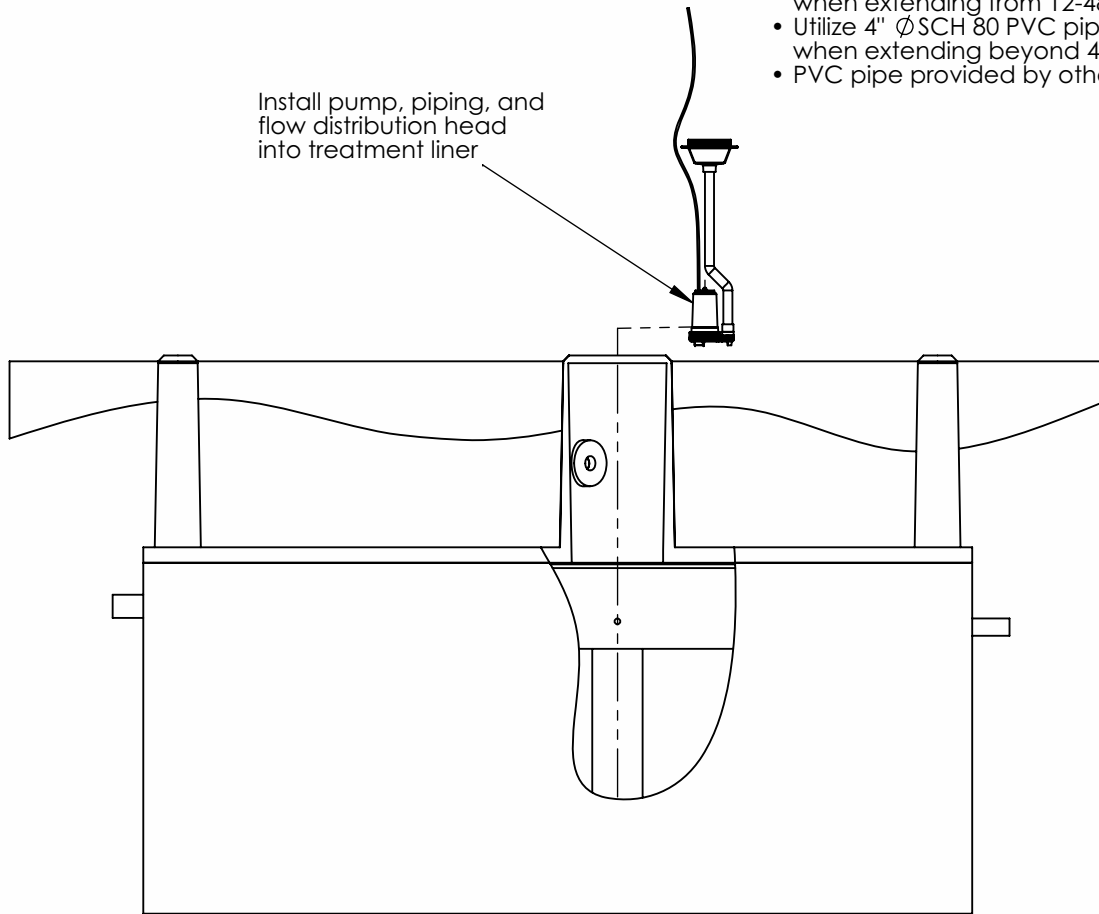
1. Anchor the outer leg extensions to base of the tank except the center leg extension. Place anchor bolts at opposite corners of the base of the leg extension. If elongating the leg extensions past 23" in height, the center leg extension must also be bolted down. Anchor bolts are provided by others.

Minimum leg extension assembly



- Utilize 4" Ø SCH 40 PVC pipe when extending from 12-48"
- Utilize 4" Ø SCH 80 PVC pipe when extending beyond 48"
- PVC pipe provided by others

Install pump, piping, and flow distribution head into treatment liner



DO NOT SCALE
UNLESS NOTED
DIMENSIONS
ARE IN INCHES
[CENTIMETERS]
TOLERANCES
± 0.02 IN/IN
[± 0.05 CM/CM]



ABC-N® 9.0

WEIGHT	2300 LB	SIZE	DRAWING NUMBER	REV.
		A	600-FINABCN9.0	INI-01-D
DRAWN	NAME DATE			
CHECKED	PF 7/23/2007		REVISED Monday, July 23, 2007	SHEET 2 OF 2