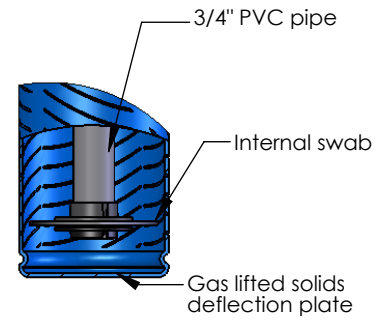
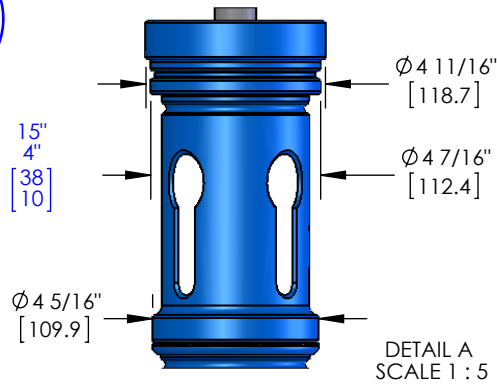
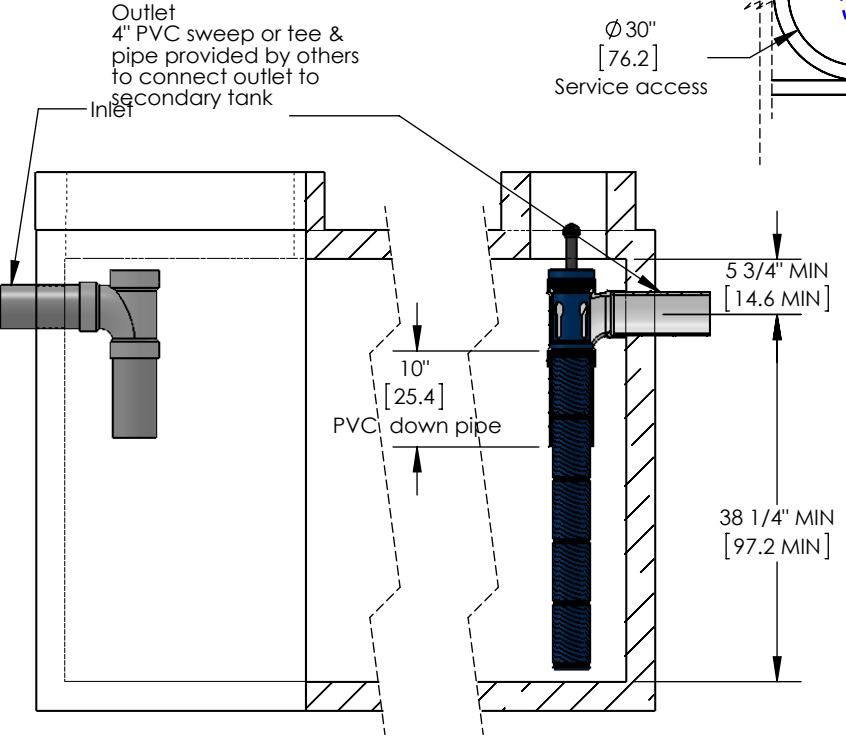
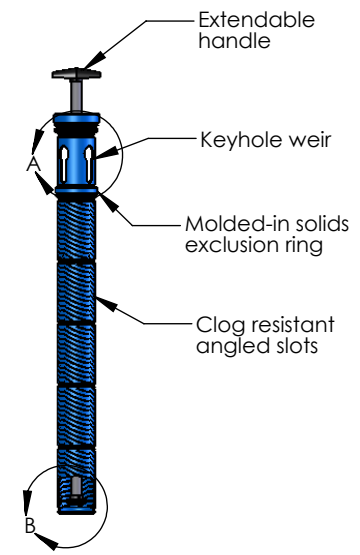
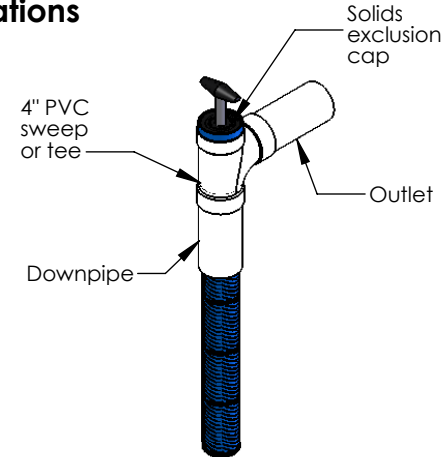
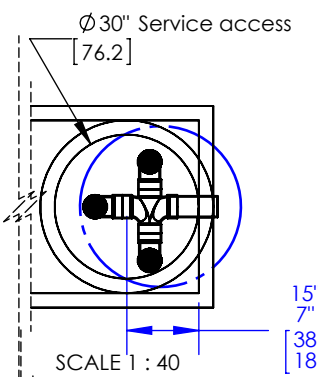
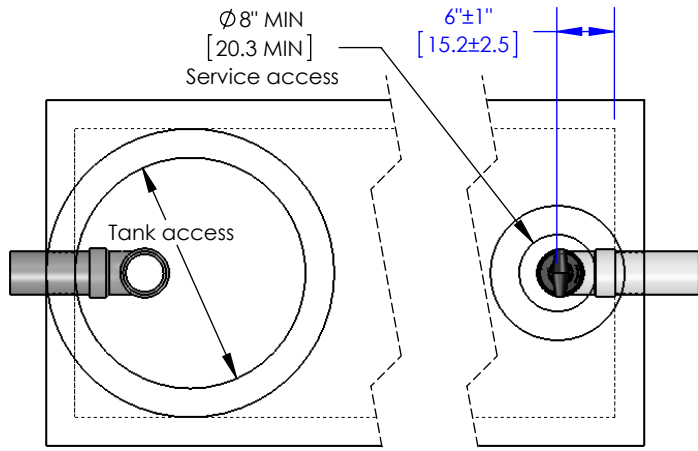


Multiple SaniTEE® Installations



- Notes:
- SNT 416 is a 1/16" [1.6mm] Effluent Screen capable of screening up to 1,000 GPD [3.8 cubic meters per day].
 - SNT 418 is a 1/8" [3.2 mm] effluent screen capable of screening up to 2,000 GPD [7.6 cubic meters per day].
 - Down pipe, outlet pipe, and tee or sweep not included.
 - All appurtenances to SaniTEE® (e.g. septic tank, access risers, etc) must conform to all applicable codes.

DO NOT SCALE
UNLESS NOTED
DIMENSIONS
ARE IN INCHES
[CENTIMETERS]
TOLERANCES
± 0.02 IN/IN
[± 0.05 CM/CM]



4 Inch SANITEE

THE INFORMATION CONTAINED IN THIS DRAWING IS THE SOLE PROPERTY OF BIO-MICROBICS INC. ANY REPRODUCTION IN PART OR AS A WHOLE WITHOUT THE WRITTEN PERMISSION OF BIO-MICROBICS INC. IS PROHIBITED. DESIGN AND INVENTION RIGHTS ARE RESERVED. IN THE INTEREST OF TECHNOLOGICAL ADVANCEMENT, ALL PRODUCTS ARE SUBJECT TO DESIGN AND OR MATERIAL CHANGE WITHOUT NOTICE.

BIO-MICROBICS © 2014

WEIGHT	lb	SIZE	DRAWING NUMBER	SHEET 1 OF 1
NAME	DATE	A	SaniTEE® 416 & 418	
DRAWN	CTC	3/31/2005		
CHECKED	PF	6/17/2014	REVISED 6/17/2014 REV. INI-02-H	